



# ACTUATOR CONTROL MODULE ACM

ENGINEERING

1

Ref. No. P06606  
Release 09/2000

## Description

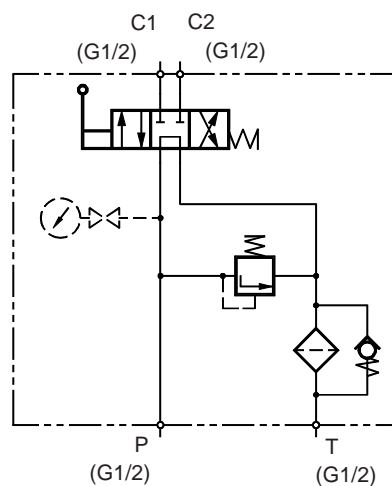
Designed to control hydraulic cylinders or motors.  
Provision for measuring system pressure.  
Provision for filtering system.  
Max. operating pressure 315 bar.

Facilitates :-

1. Change the direction of motion or rotation of motor.
2. Control over the forces or torque.
3. Indication of pressure.
4. Continuous filtration of returning oil to tank.



## Hydraulic Symbol



**Polyhydron Pvt. Ltd.**  
78-80, Machhe Industrial Estate,  
Machhe, Belgaum - 590 014, INDIA.

**Phone** : +91-(0)831-411001  
**Fax** : +91-(0)831-411002  
**E-mail** : polyhydron@vsnl.com  
**Website** : www.polyhydron.com



# ACTUATOR CONTROL MODULE ACM

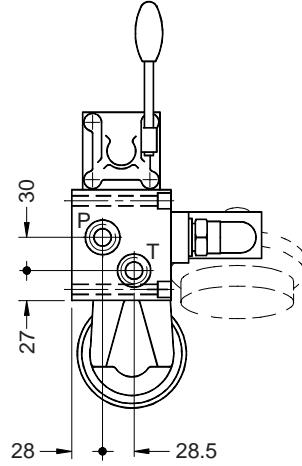
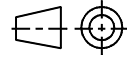
ENGINEERING

2

Ref. No. P06606

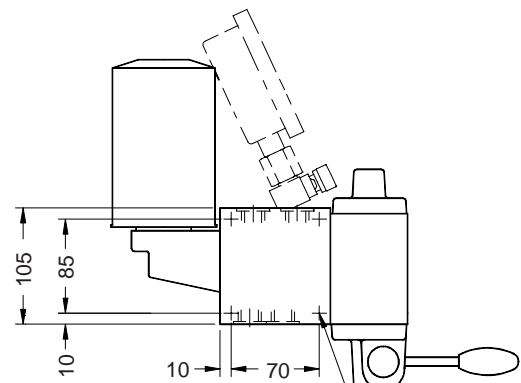
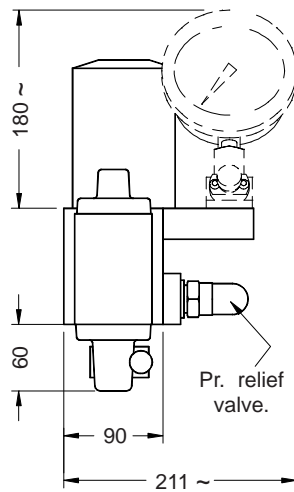
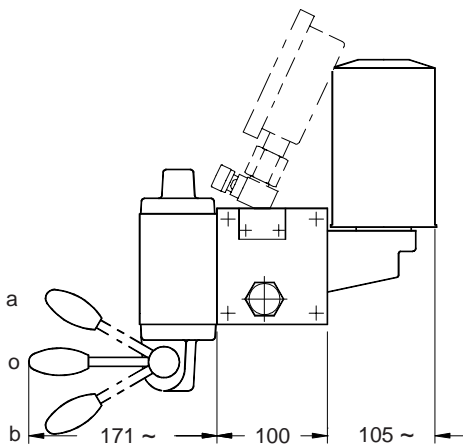
## Unit Dimensions

Dimensions in mm.

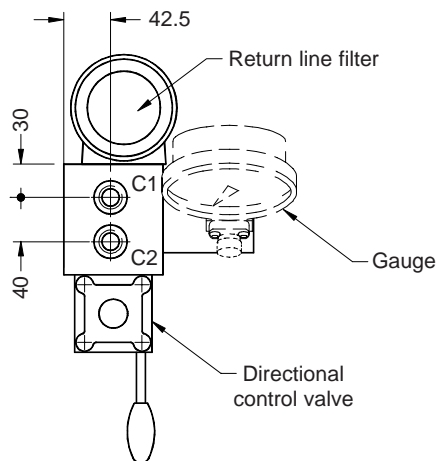
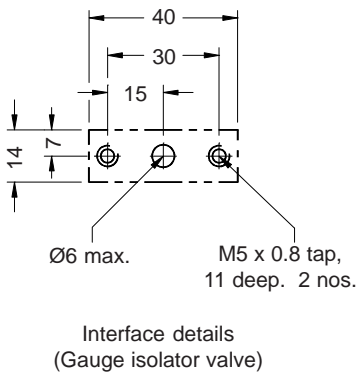


Connection details:

- P -- Inlet port (G1/2)
- T -- Tank port (G1/2)
- C1 } working ports. (G1/2)
- C2 }



Ø 9, thru  
Ø14.5 C'bore, 12 Deep.  
Use S.H.C. screw  
M8 x 90L (4 nos.)





# ACTUATOR CONTROL MODULE ACM

ENGINEERING

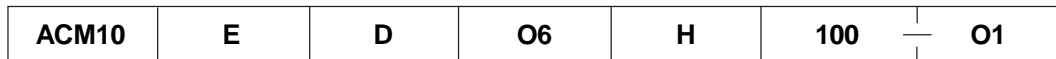
3

Ref. No. P06606

## Technical Specifications

Construction .....	Integrated manifold design with Spool type, lever operated, 4 way directional control valve, Poppet type direct operated pressure relief valve, Needle type gauge isolating shut off valve, Spinon filter and pr. gauge.
Mounting .....	Face mounting, Factory standards.
Direction of flow .....	As per hydraulic circuit
Operating pressure .....	25 to 315 bar. max.
Viscosity range .....	10 cSt to 380 cSt.
Fluid temperature range .....	-10 °C to +70 °C.
Fluid cleanliness requirement .....	As per ISO 16/13
Flow handling capacity .....	P = 15 l/min. T = 40 l/min.

## Ordering Code



Actuator control module with lever optd. directional control valve of size 10.

Design code subject to change. Installation dimensions remain same for design code 01 thru 09

Pr. rating (bar) 100, 200, 315, 400

H	Hand knob
S	Set screw

Pr. relief valve size O6

D	Detented
S	Spring centred

Type	Symbol	Type	Symbol
	a 0 A B P T		a 0 b A B P T
A		L	
C		M	
D		P	
E		Q	
F		U	
G		V	
H		W	
J			

Note : Gauge range = 2 X Relief valve range  
Pr. gauge and Gauge isolator valve are out of scope of supply.

Name & Address of the supplier for Gauge isolator valve :

**Hyloc Hydrotechnic Pvt. Ltd.**

Regd. Office & works :

C - 26, Industrial Estate, Udyambag,

Belgaum - 590 008. INDIA.

Phone : (0831) 441448, 441034

Fax : (0831) 441379.



ACTUATOR CONTROL MODULE  
**ACM**

ENGINEERING

4

Ref. No. P06606

All rights reserved .  
Subject to revision.

P06606